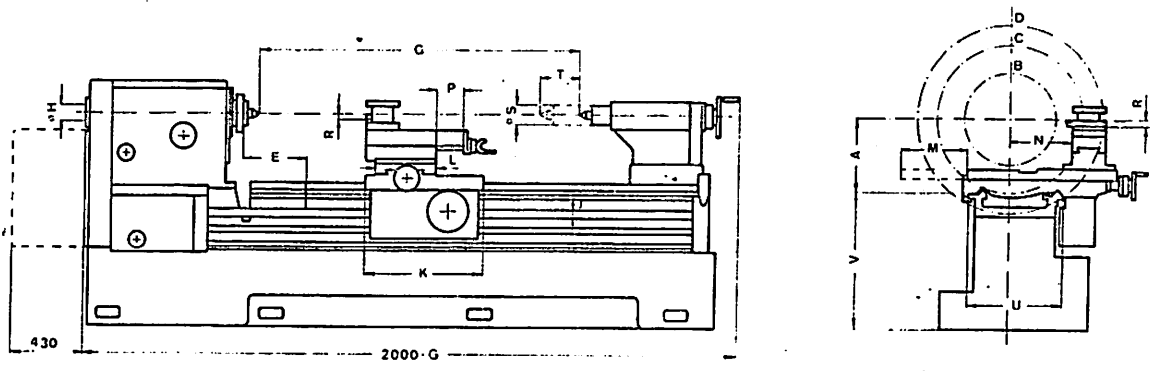


DIMENSIONS AND TECHNICAL CHARACTERISTICS 1-2



DENOMINATION	REF.	Unit	MODEL		
			GE-650	GE-870	GE-1000
CAPACITY					
Height of centres	A	mm.	335	430	500
Max. swing over carriage	B	mm.	410	580	720
Max. swing over bed	C	mm.	680	870	1000
Max. swing over gap	D	mm.	850	1100	1240
Length of gap from standard nose	E	mm.	310	340	
Distance between centr. (others on demand)	G	m.	1-1.5-2-3-4-5-6	1-2-3-4-5-6-7-8-9-10	
HEADSTOCK					
Diameter of main spindle bore	H	mm.	84-104*		
DIN Nose 55022 (other types on demand)		Size	8-11*		
Diameter of spindle on front bearing ...		mm.	130-150*		
SPEEDS					
Standard range		n°	18		
Rapid range		r.p.m.	13-1000		
		r.p.m.	16-1250*		
MOTORS					
Main motor on max. standard range ...		Kw.	11 (15 HP)	14,7 (20 HP)	
Main motor on max. rapid range		Kw.	14,7* (20 HP)*	18,38* (25 HP)*	
Rapid traverse motor*		Kw.	0,55* (0,75 HP)*	0,55* (0,75 HP)*	
THREADS AND FEEDS					
Diameter of leadscrew	J	mm.	50	50	
Thread of leadscrew		mm-T.P.I.	6	4*	
Metric threads		mm.	Metric box 30 from 0,5...30 48 from 1...56 48 from 2...112 Whitworth box *		
Module threads		Mod.			
Whitworth threads		T.P.I.			
Diametrical pitch		Pitch			
48 Longitudinal feeds		mm/rev	0,05...3		
48 Cross feeds		mm/rev	0,025...1,5		
CARRIAGES					
Length of longitudinal slide	K	mm.	620	800	
Width of cross slide	L	mm.	260	350	
Travel of cross slide	M	mm.	350	415	465
Max. distance from centre to turret	N	mm.	310	352	422
Travel of toolholder-slide	P	mm.	150	250	
Tool section	R	mm.	32 x 32		40 x 40
TAILSTOCK					
Quill diameter	S	mm.	85		
Travel of shank	T	mm.	270		
Centre			Morse 5-60°		Morse 6-60°
BED					
Width	U	mm.	450		
Height up to plane guide	V	mm.	805		
WEIGHTS					
Weight of				4460	4880
1 m. lathe		kg.	3590		
1,5 m. lathe		kg.	3980		
2 m. lathe		kg.	4330	5500	5710
3 m. lathe		kg.	5200	6320	6540
4 m. lathe		kg.	5850	7160	7370
5 m. lathe		kg.	6570	8140	8360
6 m. lathe		kg.	7250	8800	9020
7 m. lathe		kg.		9550	9760
8 m. lathe		kg.		10560	10780
9 m. lathe		kg.		11570	11800
10 m. lathe		kg.		12580	12800
STEADIES					
Minimum-maximum capacity of steady rest		mm.	25-240		25-350
Minimum-maximum capacity of follower rest		mm.	15-100		15-140

(*) ON DEMAND

Drehmaschine

Fabr. Gemini S

Type, GE 870

Bauj., 1972

Spitzenhöhe = 435 mm

Spitzenlänge = 1000 mm

Ursprungsland: Spanien

mit Digitalanzeige: Heidenhain

Gewicht. = 4.460 kg